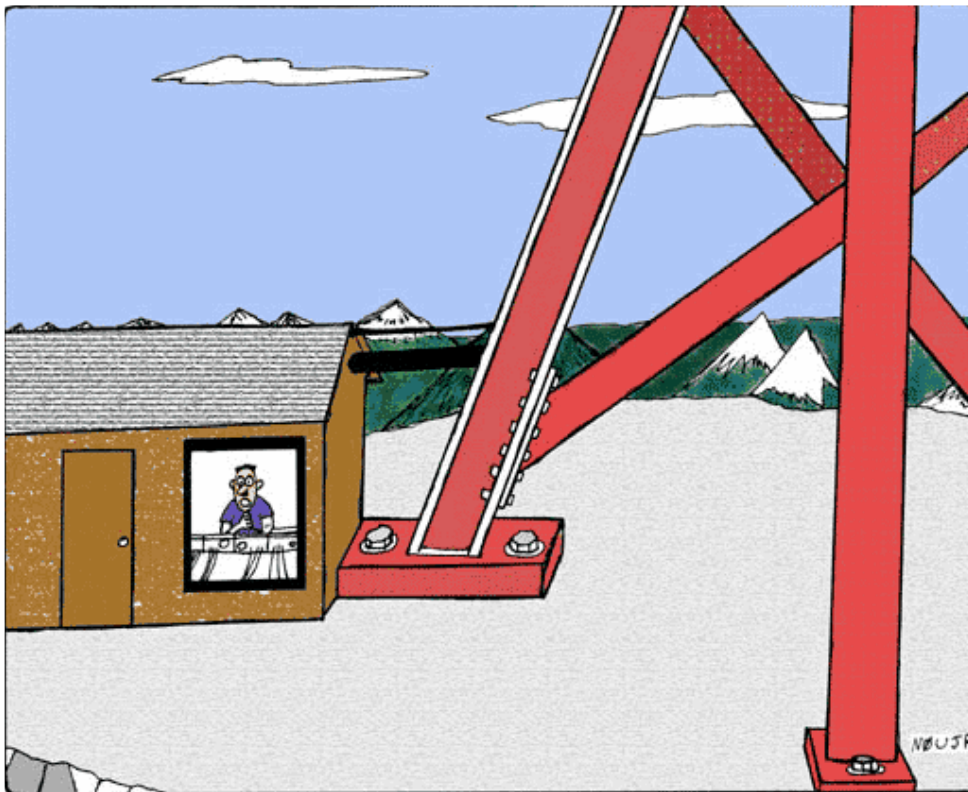




# - QRM -

The Bi-Monthly Magazine  
of the  
Redcliffe and Districts Radio Club Inc.

## Amateur Radio Stations VK4RC & VK4IZ



"Yes I really am running just 5 watts QRP...although I suppose I do have an above average antenna system..."

---

## **From the Editor**

Greetings to all Club members, radio enthusiasts, family supporters and friends.

Welcome to QRM for August-October 2007. My apologies for being unable to produce the usual August QRM. Hence this edition is a longer combined edition. Things have been a tad disrupted in our household due to having our house extended at both ends – for several weeks, there was not much house left for us to actually live in! But happily, the worst is now behind us and we can try to get back to a normal life again, like sleeping in our bedroom! In the meantime, I hardly know where anything is, as we have had to move so much stuff (including my radio station) into temporary storage. When it's all finished, I will have a special little radio shack area – not huge, but adequate – yippee! Luckily, the computer has stayed put for the present.

It is with immense sadness that we acknowledge the passing of one of the most valued stalwarts of our Club, Peter Harrison, VK4YRU. For as long as I can remember, Peter, a quiet worker behind the scenes, has been the brains and energy behind maintaining our club repeater at Wamuran. As well as being a difficult man to replace, he will be sadly missed as a pleasant, friendly club member, who was never afraid to speak his mind. With Peter, you knew where you stood. We must likewise acknowledge the passing of Warwick Pezet, who had been ill for some time, and who will be remembered for his tireless work for the Scouting Movement.

This edition contains the main reports from the 2007 AGM. I hope all our loyal club members who have not been able to attend will feel that they are not forgotten, and will know what is going on. Members at the AGM returned the President David (VK4FDRC), Secretary Peter (VK4TAA) and Treasurer Glenn (VK4FZ), while electing Charlie (VK4YX) and Roger (VK4IPE) as first and second Vice Presidents. Our congratulations to all the elected Executive. Fortunately for RRC, we continue to have an efficient and hardworking Executive, in whom we can have complete confidence. Our club has come a long way in the last few years, in terms of upgrades and improvements to the clubhouse, which is due in no small part to the competence and leadership of our Executive teams. Members at the AGM also voted to create, and then elect an Assistant Secretary (Celia, VK4LIZ) and Assistant Treasurer (James, VK4TJF), who will give valuable support to and be able to take some of the load from Peter and Glenn. I'm sure all club members will wish to pledge their support to the Executive and all who assist them in the running of the club for the next year.

--- *continued on page 16*

## **In this Edition**

CW Abbreviations	page 3
2007/08 Committee Members & Club Directory	page 4
Forthcoming Events	page 4
Minutes of 2007 AGM	page 5
Treasurer's Annual Report	page 8
Yaesu FT857 to 9350 interface	page 11
A Pretty Good Antenna for 80 metres	page 14
Update on the Redcliffe Repeater	page 18
R & DRC Crossword No. 19, Contest Calendar	page 20
Notes from the Executive/Club Meetings	page 21
Celebrations	page 24
Corporate sponsors	page 26

---

**DISCLAIMER:** While every care has been taken in the preparation of this magazine, neither the Redcliffe & Districts Radio Club Inc., nor its Executive, nor the authors of any articles, nor any of its members can be held responsible in any way whatsoever for consequences arising from the use persons may make of the information published herein. Readers relying on such information do so at their own risk, and are advised to check the accuracy of data and information for themselves, and to take due care.

---

---

# CW Abbreviations

by **George Down** (VK4XY)

Following is a list of abbreviations used by CW operators for amateur usage. It is by no means complete, in fact almost any combination of letters can be used to “get the message across”. There is no standard and popular usage is the governing factor. You will note that the vowels are the most common letters missing.

ABT	About	LW	Long wire
ANT	Antenna	NR	Near or Serial number
BURO	Bureau	OM	Old man
CFM	Confirmed	PSE	Please
CLDY	Cloudy	PWR	Power
CLR	Clear	R	Roger
CUL	See you later	RIG	Equipment
DR	Dear	RPT	Repeat
DX	Long distance	REPTAA	Repeat all after
FB	Fine business	REPTAB	Repeat all before
FER	For	RPRT	Report
GA	Go ahead	RST	Signal report
GA	Good afternoon	RX	Receiver
GB	Good bye	STN	Station
GD	Good day	TEMP	Temperature
GE	Good evening	TKS	Thanks
GL	Good luck	TU	Thank you
GM	Good morning	TX	Transmitter
GN	Good night	UR	Your
GP	Ground plane	VY	Very

----- **Continued page 11**

---

## **2007/08 COMMITTEE MEMBERS & CLUB DIRECTORY**

<b>President</b>	David Close VK4FDRC	Phone: 3862 8700
<b>1<sup>st</sup> Vice President</b>	Charlie Strong VK4YZ	Phone: 5495 1565
<b>2<sup>nd</sup> Vice President</b>	Roger Wilson VK4IPE	Phone: 3385 7624
<b>Secretary</b>	Peter Richardson VK4TAA	Phone: 3261 4225
<b>Treasurer</b>	Glenn Wood VK4FZ	Phone: 3351 4295

**Meetings:** EVERY MONDAY with regular guest speakers and ongoing projects  
Time: 1930hrs (local)

**WHERE:** Redcliffe and Districts Radio Club clubhouse - Cnr Klingner Rd & Macfarlane St, Kippa Ring

**Clubhouse:** Open every Monday evening 1930hrs (local) INCLUDING PUBLIC HOLIDAYS

**2<sup>nd</sup> Monday of each month :** General Members Discussion Meeting

**CLUB NETS:** Sunday evenings at 1900K 2m on 146.925MHz Redcliffe repeater VK4RRC and 1945K 80m 3.618 MHz ± QRM VK4RC Net control : 27 MHz, channel 20, 27.205 MHz LSB, Thursday at 8pm

REDCLIFFE and DISTRICTS RADIO CLUB Inc.  
PO Box 20, WOODY POINT QLD 4019  
WEBSITE: <http://vk4rc.we.net.au>

**EXAMS:** Alan VK4KZ, Glenn VK4FZ & John VK4WX  
**NET\_1:** Sunday 1900K 146.925  
**NET\_2:** Sunday 1945K 3.618  
**REPEATERS:** VK4RRC VR 146.925, 438.325

**Contributions to Editor QRM - Alan Jenner VK4KZ**

15 Spoonbill Drive Elimbah QLD 4516  
Mobile: 0407 130 677

Phone (H): 5497 4634  
Email (H) alan.jenner@bigpond.com

---

The Editor thanks all contributors to QRM. Where possible, authors of non-submitted articles are contacted for permission to publish in QRM, and/or their authorship acknowledged. This magazine is not for sale and is distributed free to members of the Redcliffe and Districts Radio Club Inc. and other interested persons, libraries and clubs. ©2001

---

### **Forthcoming Events**

- General business meeting, 2<sup>nd</sup> Monday of month
- Foxhunts, 4<sup>th</sup> Monday of each month
- Wednesday activities – mornings 9.00am each fortnight – next 10<sup>th</sup>, 17<sup>th</sup> October  
Contact Ken (VK4FKEN) **32832564** for further information or to offer suggestions for activities.
- Trivia Nights every Wednesday evening on 70 cm repeater, 7.15pm for check-ins
- **\*\*\*\*\* visit by National Secretary of the WIA (Ken Fuller) at General Meeting 8<sup>th</sup> October**

---

# Redcliffe & Districts Radio Club Inc.

- VK4RC -



- VK4IZ -

P.O. Box 20, Woody Point, 4019. Queensland, Australia  
ABN. 55 176 081 382  
[WWW.QSL.NET/VK4IZ/LINKS.HTM](http://WWW.QSL.NET/VK4IZ/LINKS.HTM)

## Annual General Meeting 18/6/07

**The Meeting was opened by the president VK4FDRC – Peter at 8.00pm**

**Present:** As per the attendance book (over 27 club members).

**Apologies:** G7GCS - Eddie, VK4KY, VK4YOL, VK4IPE, VK4TDK, VK4UGB, VK4BLE plus others that I may have missed.

**Silent keys.**

The president called for a minutes silence for our silent keys. Don Clark VK4DC – a club life member lost his life this year.

**The minutes from the last Annual General Meeting** held 19 June 2006 were moved to be taken as read by VK4TAA . Seconded by VK4FZ .

The report was accepted by the meeting.

**Business Arising from the minutes – none.**

**Presidents report:** Was read by the president VK4FDRC – David

Moved to be accepted by VK4FDRC David & Seconded by VK4FZ Glen.

The report was accepted by the meeting.

**Certificates of appreciation:** This year Charlie VK4YZ spoke to excellent efforts of this years recipient's.

VK4KZ – Alan for his fantastic efforts in bring the the training arena & QRM editor.

VK4FZ – Glenn, for his extraordinary efforts as treasurer plus working bees & club events.

VK4KY – Andy for John Moyle co-ordination / manager.

VK4FKEN – Ken – for excelling in the building maintenance duties & general meeting goer for RCC.

VK4VKC – Ces for Qnews broadcasts / communications - getting the club visible in the

community.

**Treasurer’s report:**

Glen reported a good year with the 1 grant from the Redcliffe City Council for \$7,800 included in our books. This grant is for upgrading the toilet facilities.

Balance as of 31/5/06 - \$14,680.83.(less \$7,800- real cash)

Glen further reported that the club subscriptions are not meeting our running expenses, but revenues from other areas such as the door donations, drinks etc meant that we were ahead of our costs. Glen noted that with all the upgrades to the building last year we now have the facility being better utilised which has caused an increase in Power costs. Surplus this year is \$1,256.96.

The report was audited by Vanessa Lederhose B com, MBA, CPA, GAICD, JP (Qual) Qld.

Glen moved the report be accepted & VK4WX seconded the report.

The report was accepted by the meeting

Glen further moved to include an additional Auditor on the books as backup for our needs through the year. Jayenne Schrader (VK4TGV’s XYL) was nominated as second auditor in support. Seconded by VK4TAA – carried.

**Peter Garrison Shield** – John – VK4WX presented last years shield to Reg VK4KMP. The perpetual trophy was passed to this years winner – VK4TAA – Peter for his efforts through the year.

The President handed the chair over to VK4XY – George for the election of office bearers. The people in bold were the successful candidates.

<b>Position</b>	<b>Nominee</b>	<b>Nominated by</b>
President	<b>David Close VK4FDRC</b>	A.Nunn VK4AX, VK4FZ
1 <sup>st</sup> Vice President	<b>C. Strong VK4YZ</b> S.Pearson VK4IT	A.NunnVK4AX, VK4FDRC VK4FZ
2 <sup>nd</sup> Vice President	Ces VK4VKC- Declined Steve VK4IT - Declined <b>Roger VK4IPE</b>	A.Nunn VK4AX VK4FDRC VK4FZ
Treasurer	<b>Glenn Woods VK4FZ</b>	VK4AX, VK4FDRC
Assistant Treasurer	<b>James – VK4TJF</b>	Glen Woods VK4FZ
Secretary	<b>P. Richardson VK4TAA</b>	VK4FKEN, VK4FDRC, VK4AX
Assistant Secretary	<b>Celia – VK4LIZ</b>	VK4TAA
QRM editor	<b>A. Jenner VK4KZ</b>	VK4AX, VK4FDRC
Technical Manager	<b>A.Woods VK4KY</b>	VK4AX, VK4FDRC
Contest Manager	<b>A.Woods VK4KY</b>	VK4FDRC

<b>Position</b>	<b>Nominee</b>	<b>Nominated by</b>
Property/Equipment Manager	<b>Charlie VK4YZ</b> Assisted by VK4TGV	VK4FDRC, VK4FZ
Clubroom Maintenance Manager	<b>Ken Cosgrove VK4FKEN</b>	VK4TAA, VK4AX
Education Manager	<b>A. Jenner VK4KZ</b>	A.Nunn VK4AX
Assistant Education Manager	<b>Glen Woods VK4FZ</b>	A.Nunn VK4AX
QSL/Awards Manager	<b>John VK4WX</b>	VK4FDRC, VK4FZ
Publicity Officer / Qnews, AR news	Steve VK4IT - Declined <b>Ces VK4VKC</b>	VK4FDRC VK4TAA, VK4FZ
Repeater Manager	<b>P.Harrison VK4YRU –</b> Supported by Martin <b>VK4JVC</b>	A.Nunn VK4AX
HF net controller		
2m net controller	<b>Bob Tencatti VK4TEN</b> Peter VK4TAA - Declined	A.Nunn VK4AX VK4FDRC
70cm net controller	Lloyd VK4DOW - Declined	VK4FDRC
Echolink/IRLP Sysop	<b>Steve VK4IT</b>	A.Nunn VK4AX, VK4FZ
Webmaster	<b>Steve VK4IT</b>	VK4FDRC, VK4FZ
Grants/Acquisition co-ordinator	<b>Peter VK4TAA</b>	VK4FDRC, VK4FZ
WICEN co-ordinator	Peter VK4TGV – Declined <b>Mark VK4DGG</b>	VK4FDRC Peter VK4TGV, VK4FZ

### **Special Business**

The new president took the chair & called for any new business.

Peter VK4TAA moved the special business motion that the club fees are increased from \$27.50 - \$30 for singles & from \$30 - \$35 for families. Seconded VK4FZ – Carried.

The president raised a motion that we purchase a new Fox – APRS & controller for \$125. Seconded VK4YZ Carried.

Peter reminded the group that the Repeater antenna working bee will be this Saturday, meet at 8.30 am at the Matilda Wamuran Service Station. Will be only a couple hours.

The Raffle was won by FDRC & ?

The meeting was closed at 9.00.

---

Thanks, Peter VK4TAA

A little supper was enjoyed by all while we watched movies of this years John Moyle contest on our BIG Screen.

**Attachment** – Extract from Glenn’s treasurers report.

**Vanessa A Morris**  
B Com (JCU) MBA (UQ) CPA GAICD JP (Qual) Qld  
10 Geraldine Street  
WAVELL HEIGHTS QLD 4012

Redcliffe and Districts Radio Club Inc

**Independent Audit Report**  
For the financial Year ended 31 May 2007.

**SCOPE**

I have audited the financial accounts of the Redcliffe and Districts Radio Club Inc for the year ended 31 May 2007, the committee and those responsible for the preparation of the financial report and the information contained therein. I have conducted an independent audit of the financial report in order to express an opinion on it.

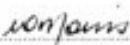
My audit has been conducted in accordance with Australian Auditing Standards to provide reasonable assurance as to whether the financial reports are free of material misstatement. My procedures included examination, on a test basis, of evidence supporting the amounts and other disclosures in the financial reports, and the evaluation of accounting policies and significant accounting estimates. These procedures have been undertaken to form an opinion as to whether, in all material respects, the financial reports are presented fairly, in accordance with Australian Accounting concepts and standards. This is done to provide a view, which is consistent with our understanding of the Redcliffe and Districts Radio Club Inc financial position, the result of its operations and its cash flows.

There are no mortgages, charges and securities of any description affecting any of the property of this incorporated association as at the 31<sup>st</sup> May 2007.

The audit opinion expressed in this report has been formed on the above basis.

**AUDIT OPINION**

In my opinion, the financial reports presents fairly in accordance with the statements of accounting concepts and the application of accounting standards. The financial position of the Redcliffe and Districts Radio Club as at 31<sup>st</sup> May 2007 and the results of its operations and its cash flows for the year then ended are accurately portrayed.

  
VA MORRIS B.Com MBA CPA GAICD JP (Qual) Qld

17<sup>th</sup> June 2007

**Redcliffe & Districts Radio Club Inc.**

P O BOX 20  
WOODY POINT QLD 4019

**Balance Sheet**

**As of May 2007**

11/06/2007  
9:10:27 AM

<b>Assets</b>			
<b>Current Assets</b>			
Cash On Hand			
Cheque Account	\$11,312.25		
<b>Total Cash On Hand</b>		\$11,312.25	
Investments			
Fixed Interest Investments	\$3,368.58		
<b>Total Investments</b>		\$3,368.58	
<b>Total Current Assets</b>			\$14,680.83
<b>Property &amp; Equipment</b>			
<b>Buildings</b>			
Buildings at Cost	\$10,000.00		
<b>Total Buildings</b>		\$10,000.00	
<b>Furniture &amp; Fittings</b>			
Furniture & Fittings at Cost	\$5,383.09		
<b>Total Furniture &amp; Fittings</b>		\$5,383.09	
<b>Plant &amp; Equipment</b>			
Plant & Equipment	\$20,966.31		
<b>Total Plant &amp; Equipment</b>		\$20,966.31	
<b>Total Property &amp; Equipment</b>			\$36,349.40
<b>Total Assets</b>			\$51,030.23
<b>Liabilities</b>			
<b>Current Liabilities</b>			
<b>GST Liabilities</b>			
GST Collected	\$3,370.86		
GST Paid	-\$4,487.23		
GST Rebate	\$1,734.00		
<b>Total GST Liabilities</b>		\$617.63	
<b>Total Current Liabilities</b>			\$617.63
<b>Total Liabilities</b>			\$617.63
<b>Net Assets</b>			\$50,412.60
<b>Equity</b>			
Prior Years Surplus/Deficit		\$28,423.30	
Retained Earnings		\$20,732.25	
Current Year Surplus/Deficit		\$1,256.95	
<b>Total Equity</b>			\$50,412.60

*10/1/07  
11/6/07*

**Redcliffe & Districts Radio Club Inc.**

P O BOX 20  
WOODY POINT QLD 4019

**Profit & Loss Statement**

**1/06/2006 through 31/05/2007**

11/06/2007  
9:11:06 AM

Income		
Advertising	\$300.00	
Miscellaneous Income	\$1,254.54	
Class & tuition	\$278.21	
Club Project / Shirts	\$331.82	
Donations	\$991.70	
Exam Fees	\$222.75	
Interest	\$177.89	
Rates Rebate	\$898.28	
Refreshments	\$1,316.86	
Badges & Equipment	\$1,064.54	
Subscriptions	\$1,590.50	
Redcap Grant	\$7,090.91	
<b>Total Income</b>		<b>\$15,518.00</b>
Cost of Sales		
Freight	\$16.00	
<b>Total Cost of Sales</b>		<b>\$16.00</b>
<b>Gross Profit</b>		<b>\$15,502.00</b>
Expenses		
Badges	\$54.54	
Donations	\$40.00	
Electricity	\$327.11	
Engraving, Certificates etc.	\$37.27	
Examinations	\$218.18	
Functions	\$166.23	
Association Fees	\$36.00	
Insurance	\$734.45	
Lease	\$90.91	
Licences	\$207.00	
Memberships	\$56.91	
Miscellaneous	\$2,329.78	
Postage		
Post Box Rental	\$59.09	
Postage & Stationary	\$80.37	
Projects	\$305.05	
Rates	\$1,323.74	
Refreshments	\$686.12	
Repairs & Maintenance	\$7,512.29	
<b>Total Expenses</b>		<b>\$14,245.04</b>
<b>Net Surplus / (Deficit)</b>		<b>\$1,256.96</b>

*WCP/2007  
17/6/07*

--- continued from page 3

HPE	Hope	WX	Weather
HPECUAGH	Hope to see you again	XYL	X-young lady, Wife
HPECUL	Hope to see you later	YL	Young lady
HW	How	73	Regards
MNI	Many	88	Love and kisses

And here is one for the contest operators

B4 Before eg QSOB4

What is QSO you ask? Well that leads us into a list of the “Q” codes used by radio amateurs.

More on this later.

BCNUAGNSN 73FERNW AR VK4RC de VK4XY SK



----- 00000000000000000000 -----

## Yaesu FT857 to 9350 interface

by **Peter Schrader** (VK4TGV)

Much deliberation, how do I utilise the Codan Land Mobile 9323 and FT857 radio's in the car, at the same time? The dilemma is that the land mobile services I use whilst travelling require the 9323 to be scanning 24/7. That is, for me to receive telephone call notifications the Codan must be scanning a select group of frequencies to receive selective calls (selcall) from the Radtel base stations. I also should be scanning the 4WD HF Network (VKS-737) in case an operator or another traveller wishes to contact me.

So initially I went down the path of two separate mobile HF antenna systems, the Codan 9323 using the Codan 9350, and the Yaesu FT857 using a FC-40 coupler and whip. The whip I bought is a blank HF helical whip manufactured by Synder Glass. When I started work at Tracker (Formally Traeger) in the late eighties, this company was the only place we bought our HF whips from. Now-a-days with the advent of satellite phones the demand for HF whips has decreased, so Synder were quite surprised at my request for a no tap whip. I connected the Yaesu FC40 coupler balanced output into a balun (backwards) so I could feed the whip base with a short piece of RG58 co-ax. To cut a long story short, it just plain did not work. I suspect that the coupler/balun combination, while great in theory, introduced too much loss into the system due the wildly fluctuating whip impedances over the very wide frequency range. The coupler always struggled to provide a match to the FT857, and trying to use the system either stationary or mobile never yielded any contacts.

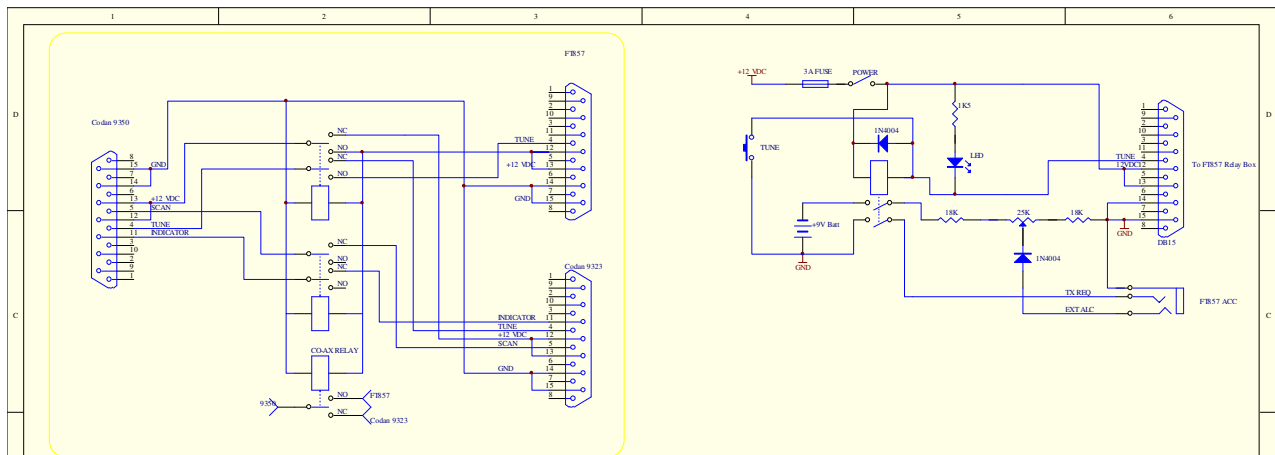
So I contemplated using a second Codan 9350, mounted on the bullbar. Luckily a fellow club member (thanks Andy) pointed out to me just how stupid that would be. Considering how often I use the land mobile at the moment it's crazy to think I would need a second phallic symbol.

So back to the original, and more sensible idea of a changeover system.

I started by building a relay box to switch the 9350 control lines from the Codan 9323 and the FT857 control box. Two DPDT 12 VDC Omron relays were liberated from my employer and mounted into a jiffy box. Connections were made using 15 pin D connectors, same as the 9323. I got a bit smart and made the FT857 and 9323 connections a different gender to avoid the wrong cable going into the wrong receptacle. The normally closed contacts connect the 9323 radio to the 9350 antenna. I also wired up a co-ax relay (thanks Charlie VK4YZ) so that the normally closed position connected the RF from the 9323 radio to the 9350 antenna. Once I confirmed that the land mobile worked OK with the changeover box in position I went onto the FT857 control box.



The FT857 Yahoo Group files section contained an interesting circuit for interfacing the 857 to the 9350, so once decided I hunted through my junk box and built it up.



The power switch on the control box energises the changeover relay box, switching the control lines and co-ax through to the FT857, pressing the button momentarily latches the relay via the antenna TUNE line, the circuit applies enough ALC to the radio to put out 20W of RF. The combination of the TUNE line and applied RF initiates the 9350 tuning procedure. The antenna whirs into action and when completed the antenna unlatches the tune line, which in turn turns off the TX REQ line to the radio. Totally automatic, it's very cool to watch the SWR indicator on the radio go from maximum to minimum within a few seconds of pushing the button.



This has turned out to be a very good solution to mobile operating on HF, your eyes never need to leave the road to tune the antenna, for any frequency between 2 and 30 MHz.

Next plan is to mount the FC40 coupler on the cargo barrier, and have its co-ax feed come from a manual co-ax switch (FT857 only). The FC40 control cable can remain connected and operates quite independently of the 9350 setup. My plan is to make a doublet antenna, using 300 ohm open wire feeder, of some significant length (legs longer than 20 metres), and use this antenna for stationary mobile

situations. E.g., when camping on Moreton Is for more than a few days, the doublet will go up into the trees as high as possible, and the feedline will be connected to the FC40 balanced output terminals. Hey presto, a full size antenna for camping. The only problem is, no 6 metres, hmm, I wonder how duplexers are made?



----- 000000000000000000 -----

## ----- Club second hand market -----

Do you have any radio gear, components, bits and pieces you would like to sell or swap. You can advertise in QRM for free. Please call, email or send details to the QRM Editor, Alan (VK4KZ). Similarly if you want something you think someone might have, you can also advertise in QRM. Your Club is there working for you. For current items for sale/wanted, see below.

## DONATIONS WANTED

**Peter Schrader (VK4TGV) is requesting equipment donations to the Club for emergency communications gear, to complete the fitout of the radio room, namely:**

- a 27MHz CB (AM/SSB) in good working order
- UHF CB in good working order
- UHF CB base antenna
- Marine VHF radio
- Marine VHF antenna

All donations of equipment will be gratefully accepted, however if the equipment offered is of some value, could the person offering indicate to Peter via email [peters@edmi.com.au](mailto:peters@edmi.com.au) what they think it is worth to them.

## A Pretty Good Antenna for 80 metres

by **Bill Isdale** VK4 TWI [isdales@bigpond.com](mailto:isdales@bigpond.com)

As I write this, the sun is at the rock bottom of its cycle with no sunspots visible. The observatories monitoring solar activity are showing images of a smooth ball that could as well be an orange. Without the enhanced reflectivity to HF radio signals that a more active sun brings to the ionosphere, propagation on the high frequency bands is more intermittent. The DX is harder to find but we can still make good use of the existing conditions as we await the return of a solar maximum.

At times like this, an effective antenna and choosing suitable operating frequencies can make the difference between a rewarding operating experience and a loss of enjoyment in the hobby.

Lower frequencies will be reflected even when the ionosphere is receiving very little solar enhancement. In fact, the first few hours after dark are quite suitable for working the lower part of the HF band, with many friendly nets regularly operating. One of the realities of using this band is that at night good results can be achieved out to about 1,500 kilometers from your location by using a radiation pattern that launches the energy straight up so that it will reflect downwards and disperse over a footprint very much like that thrown by a satellite transmission. By about 8 pm or so, SSB on 80 meters will be coming alive.

A positive aspect of the present minimum ionospheric reflectivity is that it provides a suitable environment for critically evaluating an antenna. There is no risk of being misled by getting good results from an inefficient antenna simply because propagation conditions are very advantageous. A requirement to throw as much energy as possible straight up is very different from what is usually done to achieve useful DX performance, where a low angle of radiation is sought. For present purposes, a near vertical incidence sky wave is just what is needed.

Before starting construction, however, it is useful to establish some design criteria. In this case the band to be operated within is towards the bottom end of high frequency so an antenna that is an efficient radiator and catcher of energy at these frequencies will be fairly large. This will influence where it can be located. Vertical radiation can be improved by using a low antenna. This is usually much easier to install rather than to attempt to locate it a quarter wavelength or more above the ground as we would be aiming to do if low angle radiation was our goal.

To maximize vertical and near vertical radiation a half wave dipole mounted relatively low is quite effective. Energy will be directed upwards. There is certainly some loss into the ground as at most locations it is a poor reflector but the result is still satisfactory. This is going to be a pretty good antenna and not a perfect one.

A half wave dipole antenna cut for this frequency will be close to 40 metres in overall length. The design is relatively tolerant of some modification to allow it to fit within the available space and I have found that as long as the middle two thirds is fairly straight and level then taking the ends around a corner or drooping them down is acceptable as long as overall symmetry is not completely lost. The best compromise will be what fits in the space available in such a way that it is about 5 meters up and as straight and as far from obstacles as possible. With only a modest height requirement, creative use can be made of trees and structures as supports, usually at minimal cost. Some suitable exterior grade cord and some insulators to terminate the wire to are very inexpensive and the insulated wire sold by the roll at electrician's supply stores works very well. It is typically used in buildings as earth wire and is both keenly priced and widely available. The stranded wire is sufficiently flexible that it will tolerate the movement that must be expected in the outdoors. The green and yellow striped insulation is thick and strong, breaking the outline sufficiently to provide a reasonable camouflage. The length of each quarter wave section of the dipole will be about 95% of the free space quarter wavelength at the frequency that you intend to use. Some will prefer to shorten the wire to 94% to take account of the effect of the insulation. Top quality hard drawn copper wire and Dacron cord is available locally from specialist radio hobby suppliers.

A 1:1 balun at the feed point will provide impedance matching to coaxial cable which can be led into the shack. I won't go into baluns here other than to say that you can make one or buy a ready made item. If buying one, make sure it has been tested to provide a consistent performance across the HF spectrum and will handle the power you intend to put into it. Be alert that a distant vendor may perhaps innocently supply something that is effective only in a narrow frequency range and the power handling of which is rated at some high value which it might be able to handle, but only for a very short time. Well made baluns are available locally for reasonable prices. These should be properly sealed so as to be water resistant and have an eyebolt on top to make it easy to hang them from a support such as a tree. A quality product which works well across the HF bands will be able to be used again for a variety of antennas as your needs change.

For use on HF the coaxial cable can be as inexpensive as RG58 and still perform well if the run is not too long. 25 meters or so will have only a little loss. A lower loss cable will of course be more important for longer runs. It is not realistic to expect the connector on the cable to support much weight. To take the weight of the cable some of it just below the connector can be made into a loop of a size that it will comfortably curve into, perhaps about 15cms in diameter, held in shape with some black external grade cable ties and the loop used to tie the supporting cord to so that it holds the balun and also the weight of the cable. Connections can be easily weatherproofed with one of the sealing tapes available from electronics stores. The connections of antenna wire to the balun, usually made with a bolt, will maintain the minimum resistance to signal flow if they are protected from the corrosion which exposure to oxygen and the elements will bring. The fittings will probably be stainless steel in a solidly constructed balun so corrosion of that metal will be slight but it is worthwhile to make an effort to keep the connections clean. Stainless steel is not corrosion free but corrosion resistant, the chromium content means that the slight layer of oxidation of the chromium forms a protective surface on the metal. Copper will oxidize significantly more and you may wish to get out the soldering iron and tin several centimeters of the wire at the point where you will be fixing it to the bolt on the balun so as to make it a little easier to work with and less prone to corrosion. Bending the wire into the desired shape before tinning it makes for a better result. I have found that sealing these joins keeps them remarkably clean and therefore optimally conductive for at least several years.

This antenna is purpose built for the task and can be expected to provide a low standing wave ratio [SWR] such that an antenna tuner is unnecessary. It will easily handle as much power as we are able to legally put into it and is very inexpensive. A variation is to dispense with the balun and use, for instance, a commercially available dipole center, essentially a piece of tough plastic, to join the antenna wire to a length of ladder line. This is a balanced line and has hardly any loss. If it is possible to route it through the air clear of obstacles it can be taken to a suitable antenna tuner which may be used to match the impedance of the radio to that of the antenna over a wide range of frequencies. In the case of a dipole cut for 3.5 MHz it should be able to be operated as a doublet on all of the amateur HF bands above that as well. It may not be quite as good as a purpose built antenna for a particular band, but it will be pretty good, with energy lobes that will vary on different bands so that the directionality of the antenna will shift, becoming more end-fire at higher frequencies. It all comes down to the available resources, most particularly space. A wire antenna has the advantage of being inexpensive to construct and the material is readily available. Stringing up some wire is an efficient way to obtain the maximum area for the capture and radiation of signals with minimal wind loading. Another advantage is that the antenna is light and flexible. It can be built to allow for the movement of trees by using a counterweight to hold it over a limb so that it adjusts itself on windy days. Keeping the counterweight close to ground level will avoid having a weight suspended high in the air, a possible safety hazard. Looping the supporting cord over a tree limb and tying it off at a convenient lower location while leaving a coiled up length of cord sufficient to allow the antenna to be lowered and raised again makes for ease of maintenance.

A further major advantage of the wire antenna is its low visual signature. With a little attention to using light coloured wire and insulators against the sky, dark insulators and dark cord in amongst vegetation, the antenna becomes extremely unobtrusive; a real benefit. In my yard, with trees as supports, it proved challenging to take a photo illustrating the completed antenna.. Performance is good, cost low and construction easy. Testing has shown that it is more difficult to see a yellow and green covered wire against

the sky than if it is covered in black insulation, while black wire and insulators are harder to see than white ones in amongst vegetation. One aspect worth a little consideration is how to get access to suitable places in a tree to use for supporting an antenna. Naturally enough, trees tend to be light and flexible at height so there may not be a good support for a ladder. It would be unwise to climb a ladder where there is a risk of falling. Using something like a slingshot to take a line into a tree brings the risks inherent in having a projectile in the air; it will not always go where you intend. I have had some success with what is called a squid pole. I thought, until I saw one, that perhaps the name came simply from them being used to catch squid. In fact, the tapered collapsible sections when extended look like a giant tentacle. A fishing gear shop is a good source and a 9 meter pole can be had for around \$50. I have found that although fairly flexible, they are light and useful for dropping a line with a small weight attached over a branch. The pole stores in its own lowermost section, less than 1 metre in length and, being made of fiberglass, is not conductive, a comforting safety feature. Putting an antenna 7 or 8 meters up a tree while keeping both feet safely on the ground where they belong is worth the cost of the pole.

Safety in the longer term should also be considered when erecting an antenna, so it is important to take into account what will happen in the event of a storm. Make sure that if it falls it will do no harm, particularly that it will always be well clear of power lines. As it will be radiating some energy, at least some of the time, have regard to the safety aspects of that and the possibility of interference to other equipment. It is best to avoid having a radiating element close to and parallel with other wires, including those inside a home, whether yours or someone else's, as it is more likely that a current will be induced in a line that is more or less parallel with the radiator. If the antenna is used at the frequency it is cut for, then the SWR will be low and there will be less likelihood of unintended radiation from the feed line causing interference to any other apparatus. There will be radiation from the antenna, not the screening sheath on the coaxial cable, and the radiation pattern will follow the shape of the antenna, not the feed line. A transmitter will be designed to protect itself from damage by automatically reducing power if a high SWR is encountered so designing the antenna for a low SWR is like taking a kink out of a garden hose. The transmitter will be able to effectively deliver its power and the antenna will both radiate and receive efficiently. This is particularly important if available transmitter power is limited.

An antenna will almost always involve a compromise of some sort. In this case, the compromises should be relatively easy to make and the antenna will be inexpensive, easy to construct and effective for the use for which it is intended. You could say that is a pretty good antenna.

The photos are by my son Billy Isdale – [see next page](#).

73 de Bill.



----- 00000000000000000000 -----

**--- Editorial continued from page 2**

In this edition we bring the second article as promised by George (VK4XY) on CW techniques, in particular, the use of abbreviations. This is pretty important to know if you are thinking of taking up CW. Being able to read morse code may not be enough, if the abbreviations and Q codes are incomprehensible, so that overs may be still hard to understand. We also have an article by Peter (VK4TGV), where he solves the problem of operating a radio for land mobile as well as an amateur radio using just one antenna – a nifty arrangement. And from Bill (VK4TWI), with photos by his son Billy, some great suggestions for an inconspicuous, low cost 80m dipole in limited space – new F-calls should check this out. Peter (VK4TGV) finishes the articles for this edition with an update on the repeater, in particular, the aftermath of the late winter storm.

Before I close, if you have submitted articles for publication in QRM and have not yet seen them in print, do not be dismayed – I would not reject out of hand any suitable contribution. I am presently in the rare but good position of having a supply of articles waiting to go to print. I try to publish them in roughly the order that I receive them, but sometimes hold something back, for reasons of space or to attempt to achieve a balance of topics. All contributions are gratefully received and will be eventually included in QRM.



**Balun** – the cord takes the weight and the sealing tape keeps the weather out



**Tree** – I have used black wire here so you can see it



**Wire** – the light colours blend into light backgrounds

---

# Update on the Redcliffe Repeater

by **Peter Schrader** (VK4TGV)

We recently had reports that the club repeaters had dropped in performance. A quick visit by Vice President Charlie VK4YZ, revealed the problem. The antenna was now horizontally polarized courtesy of the category 1 cyclonic winds and rains of the last few days.

To set the scene, the club repeaters both 2m & 70 cm are located 350m above sea level at Wamuran. The club had only just recently upgraded the antenna to a very long high gain diamond dual band antenna, which was mounted several meters above a special purpose wooden power pole. The extension aluminum poles were suitably guyed at 2 locations to several reasonably large trees.

A working bee was organized for the 15th August to drop the damaged mast and make the necessary repairs to get the repeaters back on the air. The day started with drizzling rain but no wind which we were thankful for. On closer inspection we found that one of the trees we had used to guy the antenna had broken off at the ground and rolled down the hill taking the antenna mast horizontal. The tree in question was 10 – 12 inches in diameter!

The 5 member working party devised a plan to carefully bring the antenna to ground minimizing the damage to it and the hard line feeder cable. Working slowly in the rain, we shot support lines into neighboring trees with the aid of "Big Shot" a very large sling shot we purchased last year specifically for getting antennas into the tallest of trees. The antenna was lowered gently to earth. The replacement mast was rigged with the antenna and raised into place. The rain stopped and all looked well until after some tests we found that we had lost signal!

Closer inspection revealed that the adapter we had used between the hardline and the antenna had separated due to twisting action as the mast was raised. An hour later we had the problem corrected. Further tests revealed a separate unassociated problem with the 2m repeater power supply which meant we were running off battery. The backup 2m repeater was put into service while the main repeater was taken off site to be repaired.

Clubs all round Australia do a magnificent job maintaining our network of amateur repeaters. The above is an example of the dedication of our club members in keeping these operating for use by the wider community. All clubs need support in maintaining these important assets to our hobby. The Redcliffe Club covers the northern suburbs of Brisbane and through its membership maintains the repeaters and runs many amateur radio activities.

--- see picture page 19



## MAINTAINING REPEATER RADIO EQUIPMENT

The Redcliffe and Districts Radio Club's VHF and UHF repeaters are available for all amateurs to use, and all are welcome to use them, however, the radio equipment must be maintained and upgraded from time to time. If you would like to make a donation towards this upkeep, it may be forwarded to: The Secretary, Redcliffe and District Radio Club Inc, PO Box 20, Woody Point, QLD, 4019.



## **AMATEUR RADIO THEORY COURSES AT REDCLIFFE**

If you would like to get your amateur license, upgrade, or do a refresher course, you can study for the theory, regulations and practical for Foundation, Standard or Advanced at Redcliffe Radio Club. See Alan VK4KZ, Glenn VK4FZ, or anyone from the Executive. You don't have to be a Club member to participate. Special courses will also be arranged to prepare people for the Foundation License. Please let one of the above know if you wish to attend one of these. There may be limits to class sizes.

My contact details (Alan VK4KZ) are under "Contributions to Editor QRM", page 4 of this magazine. If you do contact me, please keep in touch, to make sure I don't forget (which unfortunately I am sometimes inclined to do). The dates for future courses are not known at this stage but will depend on demand at the time.

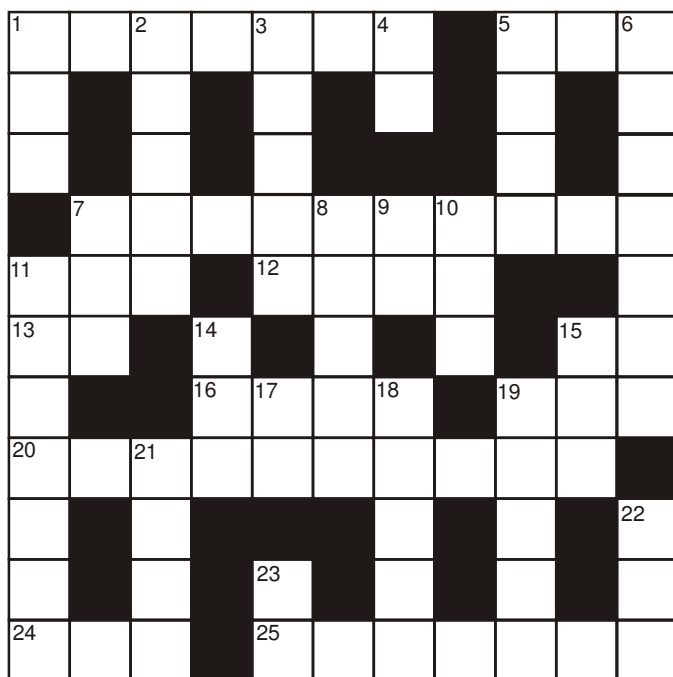
## **----- Geary Fawk -----**

**All club members wish Geary a speedy recovery and return to good health**

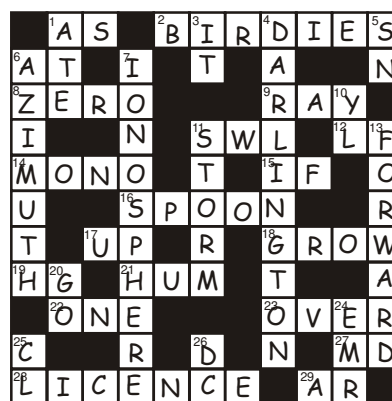
## **----- WIA Membership -----**

Please let the Secretary, Peter know if you have recently become a member of WIA. WIA membership of our Club members is important because we are able to derive insurance benefits. If you are not in WIA, please consider this seriously – it is our representative body.

**R & DRC Crossword No. 19** (Solution next QRM)



**R & DRC Crossword No. 18 solution**



**ACROSS**

- 1 Senses the fox
- 5 De-energised
- 7 Semiconductor device
- 11 Flying mammal
- 12 Quality of reproduced sound
- 13 Gold - chemical symbol
- 15 Transforms current (abbrev)
- 16 Most plentiful source of silicon
- 19 Claim damages in court
- 20 Being present
- 24 Period of time
- 25 Type of oscillator

**DOWN**

- 1 Added total
- 2 Property of element which does not chemically combine with other elements

**DOWN (cont)**

- 3 Panel where controls are usually placed
- 4 Radio frequencies (abbrev)
- 5 Leave out
- 6 Magnetic core material using powdered iron oxide
- 7 Greek letter corresponding to letter T
- 8 Waves sensed by human ear
- 9 Contained as within a space
- 10 Has excellent ground conductivity
- 11 Achieving equality
- 14 Employ
- 15 Used in billiards
- 17 Definite article prior to words beginning with vowel
- 18 Each day
- 19 Barely sufficient
- 21 Prefix for 10<sup>12</sup>
- 22 Special form of tightly controlled oscillator
- 23 Capacitive reactance symbol

© aj&jhj

----- Contest Calendar -----			
10-10 International day Sprint (all)	9 Oct	Oceania DX (CW)	13-14 Oct
Asia Pacific (CW)	14 Oct	JARTS WW RTTY	20-21 Oct
CQ WW DX (SSB)	27-28 Oct	Japan International DX (SSB)	10-11 Nov
Worked all Europe DX (RTTY)	10-11 Nov	CQ WW DX (CW)	24-25 Nov

## Notes from the Executive/Club Meetings

### General Meeting, 11/6/07

#### Reminder membership fees due 1/7/07.

- 2007 call books are in stock. Please let Glenn know if you want one.
- Foundation books available. Cost \$16.50. Get your copy from Glenn.
- Glenn has 2 spare Swainston training manuals available should some wish to purchase one.

#### General Business

- **Natural disaster planning / Jupiter's Community Fund Grant** – Peter VK4TGV – sent out by email a form to collate members capability for emergency support. Could all members complete this form & return it back to the club. It will only be used in emergency support situations.
- **Redcliffe City award & the round Australia rally awards (ToBar award)** – John VK4WX ongoing
- **Amateur Licence training courses** – ongoing

#### General business from the floor

Redcap grant – the Executive is developing the plan for the toilets & showers & talking to contractors.

Repeaters – Saturday's working bee was a huge success. We cleared the area of tall grass to reduce fire risk, installed water drainage to save erosion, change the antenna array & repeater. Unfortunately, our 2m folded dipole array could not be SWR'd to an acceptable level so a single dipole was installed along with a 50w repeater. Peter VK4TAA moved that the club purchase a Diamond dual band antenna & duplexer. (X700H with 9.5 DB on 2m & 13 db on 70cm) Total cost under \$300. Seconded VK4FSOS, carried. A working bee will occur over the coming month to install the new antenna.. Possible date 23/6

Bevan is organising a visit to the Telstra historical museum at Oriel Rd Albion. We plan the July tech talk night to meet at the museum at Albion (16/7/07). More on this next month.

Ces – VK4VKC has purchased the scanner / printer for \$99 from WOW. All connected & ready to go.

VK4TGV reminded all that the auction for the Ft101ZD, Icon 211 – 2m all mode & icon 451 – 70cm all mode is nearing completion. We have bids on all items & the auction closes shortly. Last minute bids can be sent to Glen via email.

Charlie & Ces offered to lay the white carpet during the coming school holidays. This will be great. Anyone who is willing to assist can check with Charlie.

VK4FKEN reported that there was a pile of rubbish on the eastern side of the building. Must have been a party. Also, we have had a Fire audit by the Fire Brigade. We passed with only 2 minor issues addressed. Note our Evacuation Plan is to exit the build & assemble in the car park.

The AGM will be held on 18<sup>th</sup> June. Bring a plate for supper. John Moyle movies will be running on our BIG SCREEN after the meeting.

---

## General Meeting, 10/7/07

- **Natural disaster planning** – Mark VK4DGG & Peter VK4TGV attended the sunshine coast Qld disaster planning meeting. With Peter heading O/S Mark & Reg will continue revising our plans
- **Redcliffe City award & the round Australia rally awards** (ToBar award) – John VK4WX ongoing – no submissions.... Get your awards.....
- **Amateur Licence training courses** – ongoing

### General business from the floor

Redcap Grant – the Executive is developing the plan for the Toilets & showers & talking to contractors.

Repeaters – the new antenna was up at the repeater site. It is a Diamond dual band antenna & duplexer. (X700H with 9.5 DB on 2m & 13 db on 70cm). This has improved both the 2 & 70 cm signals.

The Telstra historical museum visit is at the Albion Telephone exchange, Oriel Rd Albion on Monday 16/7/07. Meet at the museum at 7.30pm of street parking is available. For those going from the Club, You will need to be at the club by 7pm & a car pool will occur for those coming into the museum. John VK4WX will be the contact at the club rooms on the night.

VK4TGV reminded all that the auction for the FT101ZD, Icon 211 – 2m all mode & icon 451 – 70cm all mode is nearing completion. We have bids on all items & the auction closes shortly. Last minute bids can be sent to Glen via email.

VK4FKEN reported that Wendy VK4FWEN & he attended the RCC Graffiti meeting & provided some pointers from the presentation. Wendy provided the club with some dot points that came from the meeting.

The AGM will be held on 18<sup>th</sup> June. Bring a plate for supper. John Moyle movies will be running on our BIG SCREEN after the meeting.

Peter VK4TGV advised the fox is now operational. Members saw the final product on the work bench sending out its signal.

Remembrance Day contest. 0800 UTC on Saturday 11th August 2007 finishing at 0800 UTC on Sunday 12th August 2007 . The membership agreed that we would again run the RD contest at the club rooms. This will include a BYO BBQ for Saturday nights tea, Movies on the big screen Saturday night for the families & contest working in the Radio room for the amateurs. Overnight sleeping on site is available. Contact David VK4FDRC or Glen VK4FZ who will co-ordinate the event.

Roger VK4IPE reported he had joined the SEQ ATV group & would be the local rep for our club on things ATV. We will organise a tech talk for this interesting topic in the coming months.

Peter VK4YRU advised he has a BWD oscilloscope for sale. 4 beam 100meg unit. Peter is cleaning up in readiness for his retirement in Far North Qld. ( Bloomfield)

## General Meeting, 13/8/07

### Natural disaster planning

Mark VK4DGG who is the WICEN Co-ordinator put forward the following motion:

---

“To explore our abilities to use equipment and talk back to the club room.”

For full details please see the copy of an e-mail from Mark pasted below.

Seconded by VK4YZ.

Carried Unanimously.

Peter VK4TGV will help Mark with the Emergency Communications business.

The following text is the e-mail from Mark.

### **Proposed Goals for R&DRC for EmComm Preparation**

If we are going to participate in EmComm assistance we need to have an internal plan as to how we activate the club. We need to describe what duties we need to perform and who is going to accomplish these duties. In so far as we at the club want to become involved in supporting authorities during emergencies with our expertise and equipment, we may need to institute some training to assist our members in being prepared for this. Keep in mind that this is strictly voluntary for all. This is simply a way for those that want to, to become involved in helping during emergencies. I think we should address these communications skills development from two perspectives, one from the individual members and two, the club as a whole. We also need to define what our capabilities are both as individuals and as a club. We need to know exactly what we can do so we do not find out we are trying to do things we don't have the capability of doing. In attempting to define our abilities I will set out these thoughts.

#### **1. Club**

A. Define what capabilities we have at the club station in as far as practical communication abilities. This could be accomplished by, on occasion, operating the 80 meter net and 2 meter net from the club station. At this time we could determine whose home stations were able to communicate with the clubhouse. Also we could set a time during the 2 meter net to have those with the ability, to switch to simplex in order to give us an idea which home stations can reach the club if the repeater is down. We could also have some mobile stations try to communicate back to the clubhouse from remote locations such as, the local hospital, the police station, ambulance barns and fire houses. Is there an “Emergency Coordination Center” for this area and if so, can we communicate with that facility? I think we need a grasp of these capabilities in order to successfully plan on what assistance we can provide.

B. Club members that are interested need to be familiar with the operation of the club station so we are not trying to learn how to use the station radios in an emergency. The club needs to publish a simple manual explaining how to operate the station radios emergency. I think the club also needs to establish a formal net schedule to familiarize the members with the passage of formal message traffic between stations.

C. The club may need to obtain more equipment in order to meet any EmComm plans we have. One thing is we need to secure a way to provide power for the club station in the event of an emergency. This could be in the form of a generator or large battery bank. We may decide we need more radio equipment. We may need to build a couple of NVIS antennas for use in situations when the repeater is down and HF ground wave propagation isn't practical. This type of antenna has proven very reliable for communications in a radius of a few hundred kilometers when used on the 40 and 80 meter bands. They are simple and inexpensive to build.

#### **2. Members**

A. How deeply the individual club member wishes to be involved with the clubs EmComm plan is strictly up to the individual. Those that want to be involved will set their own levels of participation as they see fit. If a member wants to be involved they may want to look at the home station with a critical eye as to how well their station is equipped for EmComm. Probably one area that needs addressing is emergency power. Some stations can get by with a small battery setup and some will need more depth. This is again up to the individual and their judgement as to constraints such as room in the shack, level of participation and financial abilities.

**Joe VK4BYE** brought up his concerns over the fact that he had heard that changes to licencing are being planned by the WIA and as a club we should approach the WIA and ask for clarification.

After a long debate, VK4YZ put forward the following motion:

WIA should be asked to send our club copies of the minutes of their meetings and keep us informed.

This motion was seconded by Gal VK4FBYE and was carried unanimously.

**James VK4TJF** said that in the Remembrance Day Contest which was held over the previous weekend, they made over 300 contacts. He asked the club if it would be a good idea to order a number of good quality PL259 connectors from America. He is going to find out prices and report back to the club.

**Ces VK4VKC** said we should think about having a Roll Board of Presidents, Treasurers and Secretaries for the future. He also mentioned a safety concern. Anyone in the radio room with the door closed could get electrocuted and no-one would know. He suggested changing the door for one with a window in it. David VK4FDRC suggested that we keep our eyes peeled and if anyone finds one of the right size and price – we'll replace it.

**Roger VK4IPE** reminded everyone that the Suncoast Hamfest is on 8<sup>th</sup> September this year.

Meeting closed at 9.30 pm followed by a light supper.

**Celia (Assistant Secretary) VK4LIZ**

**Note:** Notes on 10/9/07 meeting will be in December QRM

## **CELEBRATIONS** (*July/August and September/October*)

**Birthdays:** Grace Isdale (harmonic, VK4TWI), Bob Tencati (VK4TEN) 1<sup>st</sup> July  
Mike Young (VK4TMM), 17<sup>th</sup> July  
Doug McDonald (VK4KET), 21<sup>st</sup> August  
Laurie Pritchard (VK4BLE), 26<sup>th</sup> August  
Alfred McDonald (harmonic, VK4KET), 3<sup>rd</sup> September  
Brian Bartlett (VK4UW), 12<sup>th</sup> September  
Charlie Strong (VK4YZ), Mike Lambert (VK4VZK), Lawrie Hill (VK4DAH), 14<sup>th</sup> September  
Andy Wood (VK4KY), 15<sup>th</sup> September  
Emily Pritchard (harmonic, VK4BLE & VK4HAD), 18<sup>th</sup> September  
Anne Isdale (XYL, VK4TWI), 19<sup>th</sup> September  
Donna Wood (XYL, VK4KY), 24<sup>th</sup> September  
Daphne Nunn (XYL VK4AX), 13<sup>th</sup> October  
Kevin McDonald (harmonic, VK4KET), 20<sup>th</sup> October  
Vanessa Morris (XYL, VK4YOL), 30<sup>th</sup> October

**Celebrations:** John (VK4WX) & Beryl Prestto, 23<sup>rd</sup> July  
Andy (VK4KY) & Donna Wood, 9<sup>th</sup> August  
Arnold (VK4AX) & Daphne Nunn, 18<sup>th</sup> August  
Stewart (VK4TSB) & Vicki Bodarenko, 1<sup>st</sup> September  
Don (VK4KZT) & Linda Laing, 21<sup>st</sup> September

*Congratulations and best wishes to all above.*

**Apologies to anyone who has been left out. If you are not the on Celebrations List, please give Asst Secretary Celia your details as soon as possible. Celia is currently updating the list.**



### **Silent key – Warwick**



It is with sadness that we report the passing of Warwick Pezet. Warwick was very well known and highly regarded in the Scouting Movement. He successfully completed his Foundation Licence course and exams here at the Redcliffe club. His aim was to help young scouts become interested in amateur radio. Although he was not long a member of our club, his friendly nature endeared him to all who knew him. He was laid to rest at the Pinaroo Cemetary on 22 June. The sympathy of all club members is extended to his family members and friends.

**Vale Warwick** *Supplied by Peter VK4TAA*



### **Silent key – Peter VK4YRU**



It is with sadness and a feeling of shock that we acknowledge the passing of Peter Harrison, VK4YRU. Peter passed away as the result of a motoring accident, and will be sadly missed by all club members who knew him. He was undoubtedly the “Mr Repeater” of our club, and has been the main force in keeping our Wamuran repeater operational for many years. His knowledge and expertise in VHF/UHF and repeater technology was second to none. As well as filling this vital role in our club, he will be missed on our club nets, the “trivia nights” - his general knowledge was astounding - and as a friendly and approachable member of the amateur fraternity. Our sympathy is with Virginia, and all his family members and friends.

**Vale Peter** *Supplied by Peter VK4TAA*



**These advertisers support us - please support them**

*Platinum*  
**PAINTERS  
& DECORATORS**

PH: 1300 739 859      Fax: 3264 1566  
Mobile: 0433 339 733      BSA # 702280

**"PETER RIMMER"**  
ppainter@bigpond.net.au

**ALCHEMET Pty Ltd**  
3 Ceccato Drive, Murrumba Downs, Qld, 4503

**Doug McDonald (VK4KET)**

Ph: 07 3480 5861    Mob: 0407 915 111  
Alchemet@smartchat.net.au  
Engineering, chemistry, geology, metallurgy

**engineering  
& sheetmetal**

**Greg Nagg**

Phone 07 5438 0466 Fax 07 5438 0477 ABN 25 010 799 229  
Shed 1/7 Sydal St Caloundra Q 4551 PO Box 3749 Caloundra Q 4551

**BESTEEL FRAMES Pty Ltd**  
*The Professionals in Steel Framing*  
David Sharples BSc (Hons), C Eng, MIE

**Mobile: 0412 753 562**  
PO Box 4050, Caloundra MC, Qld 4551  
14 Daniel Street, Caloundra, Qld, 4551  
Factory: Ph (07) 5492 8244 Fax (07) 5491 7488

Email: [admin@besteelframes.com.au](mailto:admin@besteelframes.com.au) Web site [www.besteelframes.com.au](http://www.besteelframes.com.au)

**Coates Hire**

Lot 102, South Pine Road, Brendale  
Ph: 3205 3677

*When you want the Hire Advantage...  
Think Coates*

**DENTURES**

New dentures      **David Close**      VK4FDRC  
Repairs      2 Waterford Place  
Relines      Bridgeman Downs 4035  
Mouthguards      3862 8700  
Health Funds      *also at*  
Veterans Affairs      Sandgate 113 Brighton Rd  
Shop 6 Laurel's Arcade  
3869 3361

**Amoru Fashion**



Ladies Tailoring  
Dress Making  
Alterations  
Repairs  
Shop 1, Upper Level  
Kippa Ring Village  
Ph: 3889 3534

**ANIMALS PRO SHOP**



Lawrie (Animal) Hill  
Pro Shop Manager

'For all your Bowling needs'

Caboolture Bowl  
207 Morayfield Road  
Morayfield, Qld, 4506  
Ph (07) 5495 6000  
Fax (07) 5495 6091  
Mobile 0403 352 501  
E-Mail: [animal@microed.com.au](mailto:animal@microed.com.au)

**BRAD FRANCIS**      VK4FAAF



**we.net.au**  
AUSTRALIAN INTERNET SERVICE PROVIDER

**For all your internet requirements**

Stewart Bondarenko  
Mobile Phone: 0407 590 295



**ELECTRICAL CONTRACTOR**

A.B.N. 40 522 827 173  
Contractors License # 11783