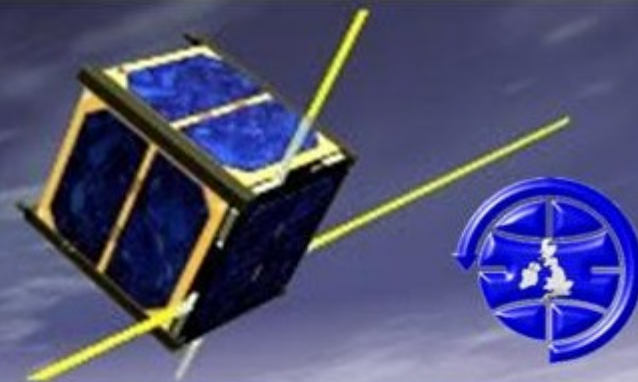


<http://www.funcubedongle.com>

FUNcube Dongle



[Home](#) [About](#) [Downloads](#) [Order your FUNcube Dongle Pro](#) [Ordering FAQ](#) [Technical FAQ](#)

64MHz to 1,700MHz Software Defined Radio

Posted on [November 9, 2010](#) by [admin](#)

***** Now back in stock! *****

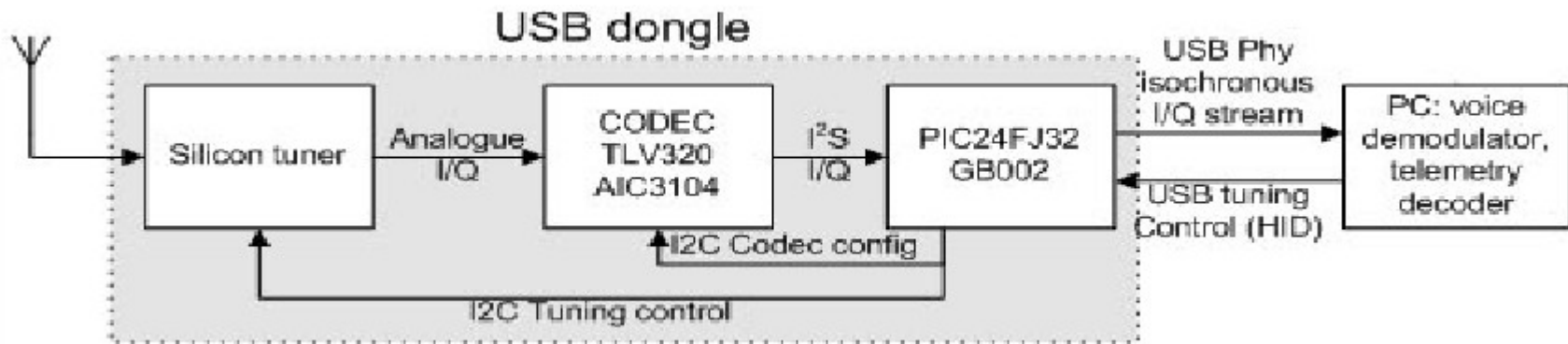
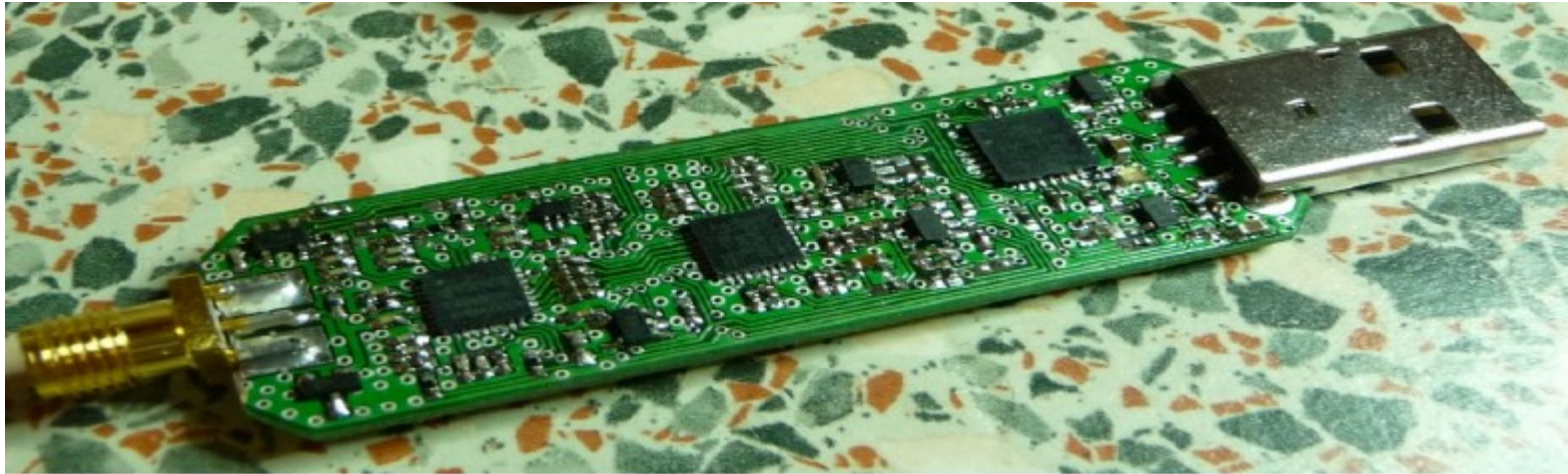


Recent Posts

- [Dayton 2012](#)
- [New Dongles now include latest 18j firmware](#)
- [New to the FCD? Here's a top tip!](#)
- [Thoughts on Raspberry Pi \(& others\) and the FCD](#)
- [Keeping up with demand](#)

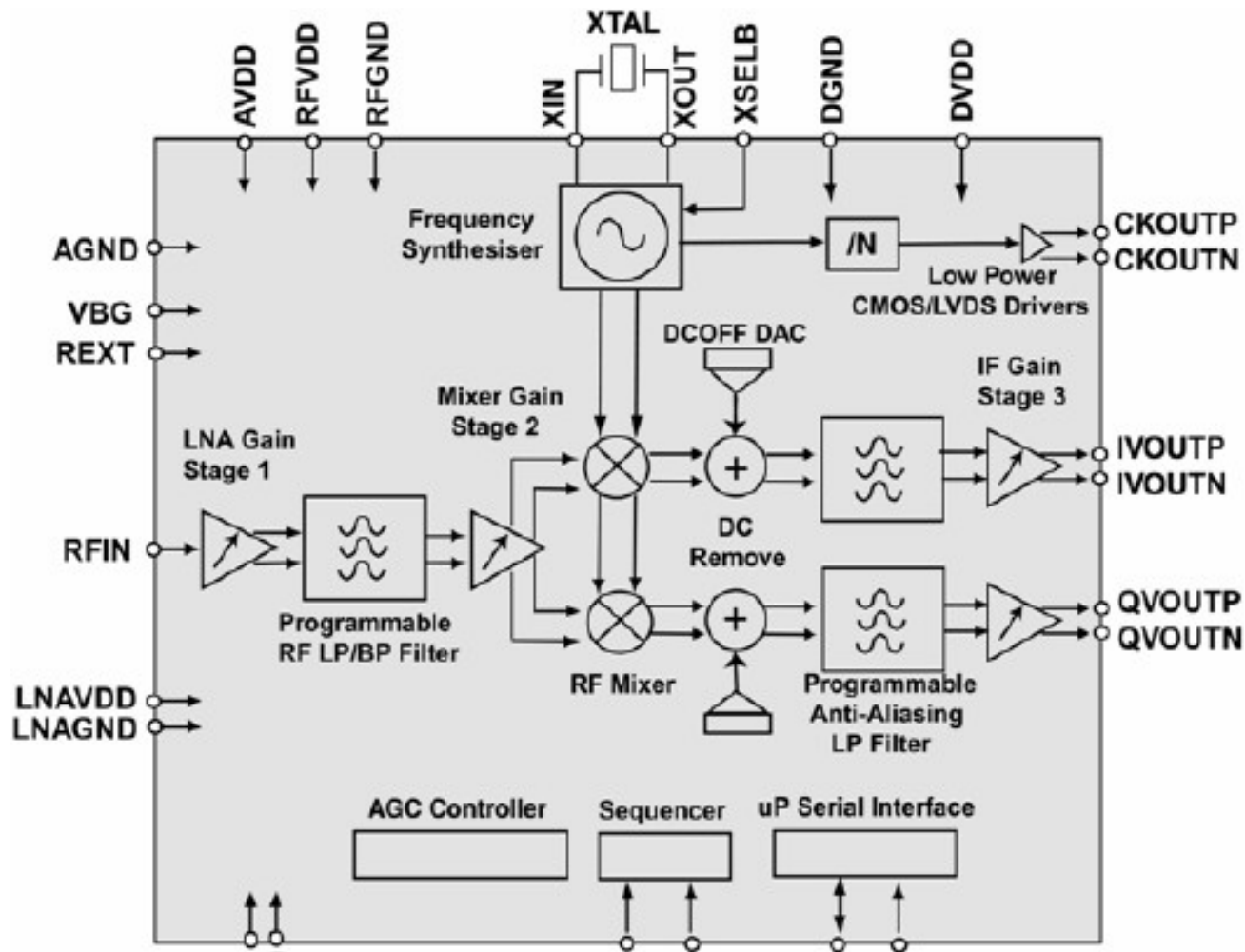
Recent Comments

<http://www.funcubedongle.com>



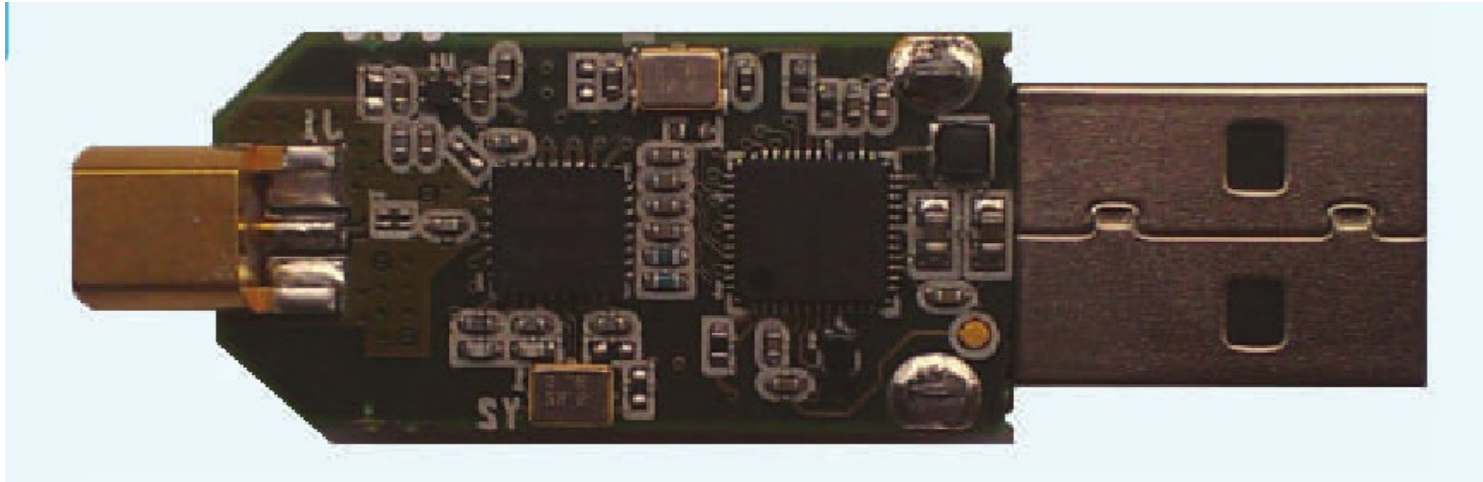
Mounts as a sound card – provides I/Q samples via virtual left & right microphone inputs @ 96 KS/s (16 bit ADCs)

Elonics E4000 RF Tuner



64 – 1700 Mhz, direct conversion, analog I/Q outputs

RTL2832U DVB-T Demodulator



DVB-T dongles generally demodulate the COFDM signal and provide a digital MPEG stream to the host PC via USB.

The RTL2832U also supports FM/DAB+ radio. This is provided by a 2 channel 3.2 MS/s 8 bit ADC which provides an I/Q output stream to the host PC via USB.

The Ezcap DVB-T dongle uses the E4000 RF Tuner and RTL2832U Demodulator.